

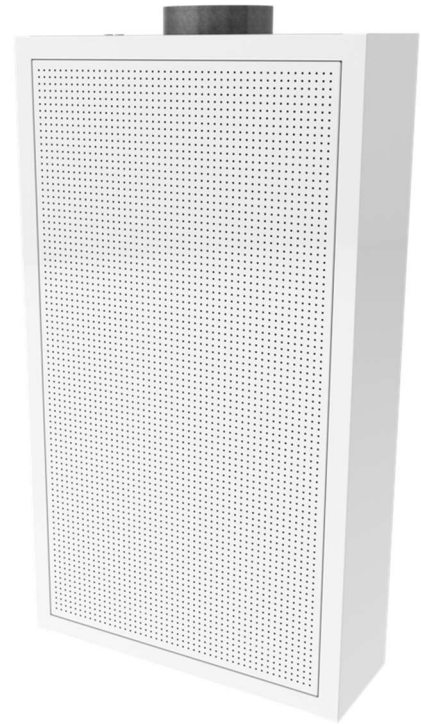
CPC/CPR – For wall floor mounting

- Compact design
- High finish
- Easy to install
- Maintenance free

Product description

CPC/CPR has been developed to provide a very compact panel with a high finish. It is suitable for installations with high demands such as offices, restaurants, cinemas, public areas.

The panel consist of a welded plenum with no rivets or screws. The internal nozzle plate and perforated front is a cassette mounted with clips without visible screws.



Specials

- Stainless steel
- Alternative sizes
- Reinforced front
- Other RAL colours

Accessories

- Duct cover plate
- Base

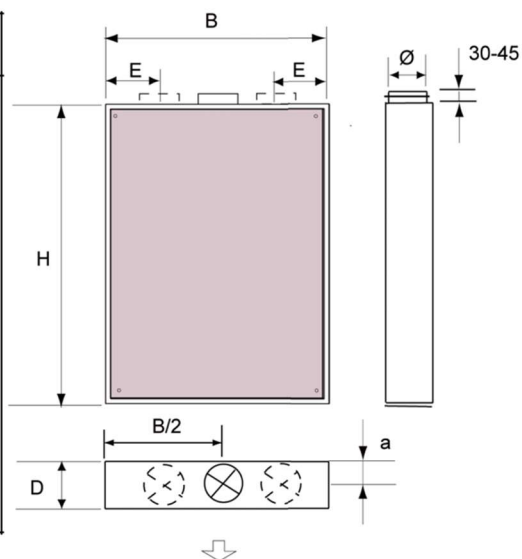
Technical Data

- Front thickness 1.25 mm
- Standard finish is white (RAL 9003 gl 30%)
- Pressure drops, sound data and adjacent zone are given in the diagrams. Sound levels are given as sound power level dB(A).

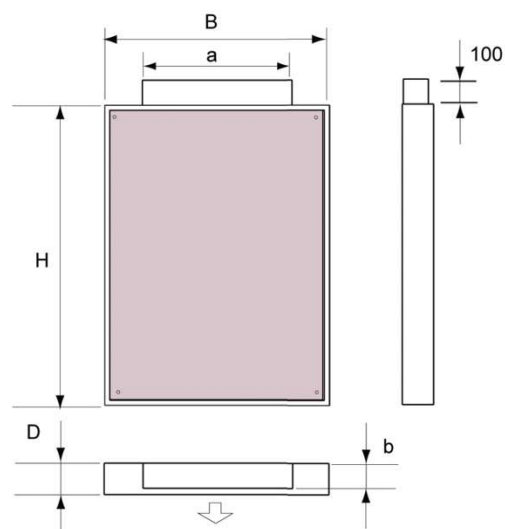
PRODUCT DATA SHEET

REPUS DISPLACEMENT DIFFUSER CPC/CPR

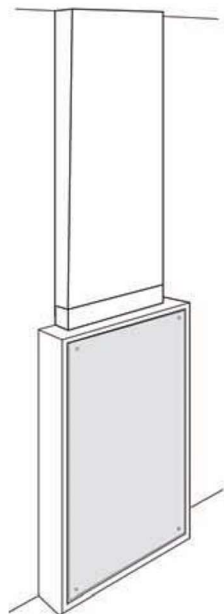
Size	H	B	D	E	Ø	kg
CPC 03-06	300	600	160	-	125	7
CPC 05-06	500	600	200	-	160	11
CPC 07-06	700	600	250	-	200	15
CPC 10-06	1000	600	300	-	250	22
CPC12-09	1200	900	250	225	2x250	37
CPC 12-12	1200	1200	300	300	2x250	50
CPC 15-09	1500	900	300	225	2x250	48
CPC 15-12	1500	1200	350	300	2x315	60
CPC 20-12	2000	1200	350	300	2x315	80



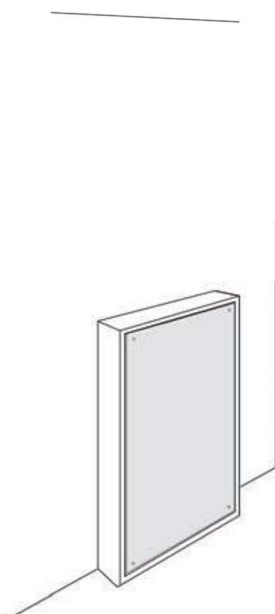
Size	H	B	D	a	b	kg
CPR 03-06	300	600	74	300	45	6
CPR 05-06	500	600	74	400	45	9
CPR 07-06	700	600	115	400	90	13
CPR 10-06	1000	600	115	400	90	18
CPR12-09	1200	900	125	600	100	31
CPR 12-12	1200	1200	125	600	100	41
CPR 15-09	1500	900	150	600	125	39
CPR 15-12	1500	1200	150	900	125	51
CPR 20-12	2000	1200	200	900	160	67



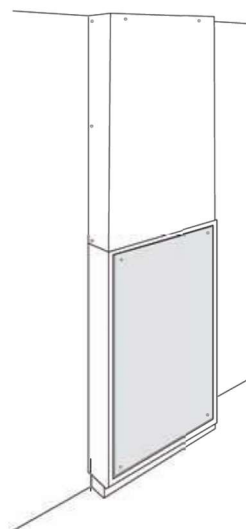
Installation



Connection from above



Connection from below



Connection from above including duct cover and base

Assembly

